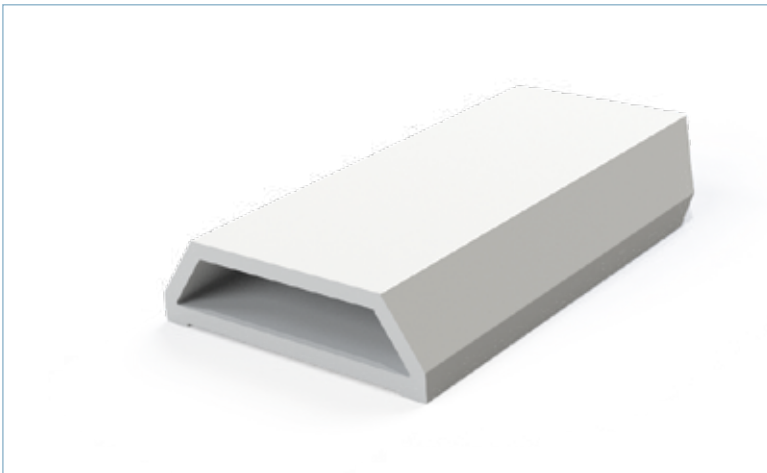




origin
DOORS AND WINDOWS

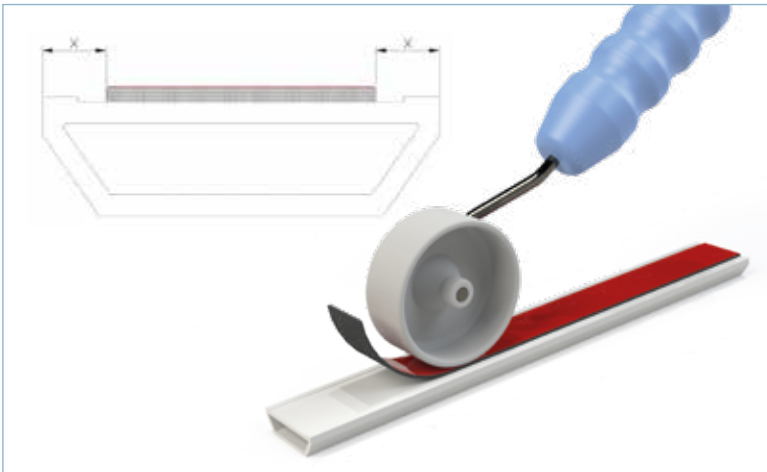
Georgian Bars

Installation Guide



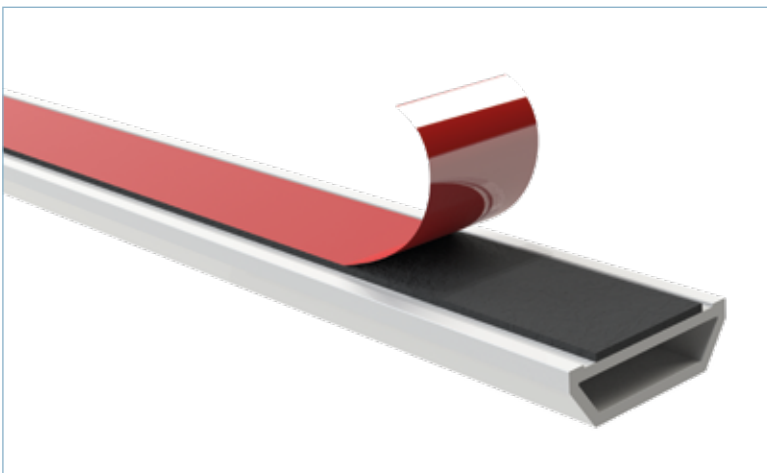
NB: The Georgian bars are supplied as 10m bar lengths (2x5m) with 13m tape. The tape will need to be bonded to the lengths of the bar.

1. Once glass is fully installed, ensure the glass is clean. It is recommended to use a saline solution or glass primer.
2. Measure the sash, and using the approximate deductions from the offset table, cut the bars to length with the appropriate angles.



Note: All deductions are oversize to reduce wastage. Bars will need to be trimmed to ensure a seamless joint.

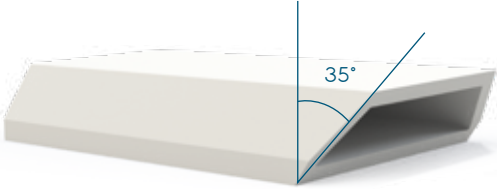
3. Clean the underside of the Georgian bar using a saline solution or primer.
4. Place tape on the underside of the Georgian bar, ensuring it remains central along the bar. It is recommended that a roller is used for this to ensure strongest bond.



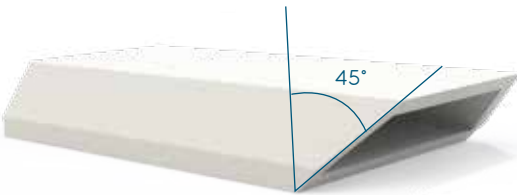
5. Before removing red backing, offer the bars up to the glass and check for size, trim as required.
6. Remove red backing of the tape and press bar firmly onto the glass.

Note: deductions are all approximate and are given as a guideline, final trimming should ensure a snug fit.

Georgian Bar Window Offsets

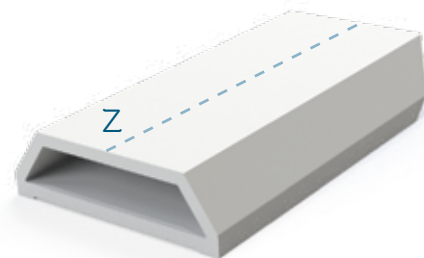
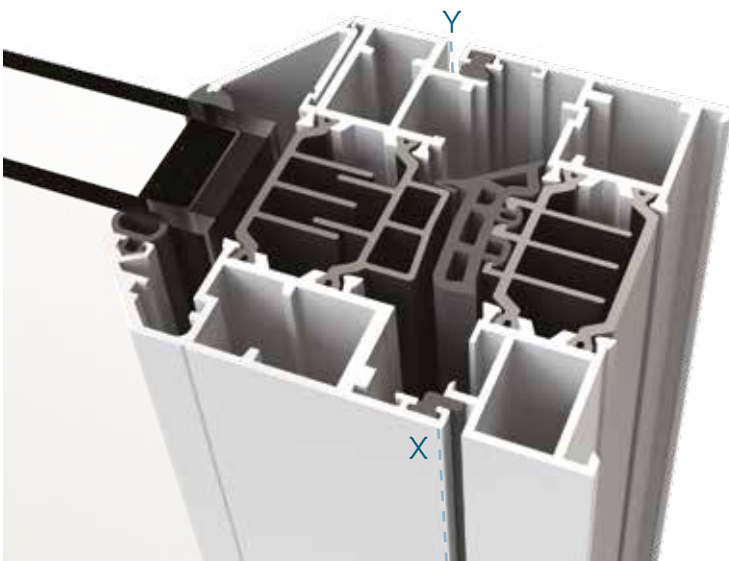
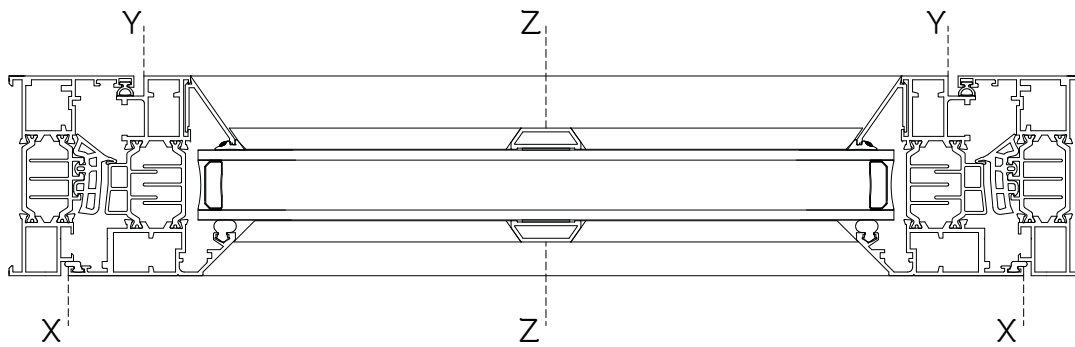


Full lengths	Cut Angle	Approximate Deduction
Sash Rebate to Sash Rebate	45°	X to X - 134mm
28mm Bead	35°	X to X - 138mm
44mm Bead	45°	X to X - 135mm

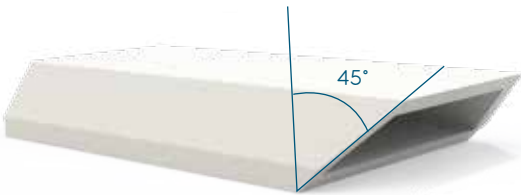
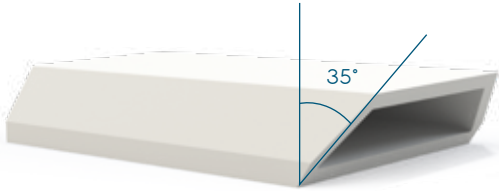


Crossover	Cut Angle	Approximate Deduction
Bar to Bar	35°	Z to Z - 25mm
Rebate to Bar	45° + 35°	X to Z - 81mm
28mm Bead to Bar	45°	Y to Z - 150mm
44mm Bead to Bar	45° + 35°	Y to Z - 149mm

(X to Y dimension = 30mm)



Georgian Bar Door Offsets



Full lengths	Cut Angle	Approximate Deduction
Rebate to Rebate	45°	X to X - 143mm
24mm Bead	35°	X to X - 150mm
28mm Bead	35°	X to X - 151mm

Crossover	Cut Angle	Approximate Deduction
Bar to Bar	35°	Z to Z - 25mm
Rebate to Bar	45° + 35°	X to Z - 84mm
24mm Bead to Bar	35°	X to Z - 90mm
28mm Bead to Bar	45° + 35°	X to Z - 88mm

