



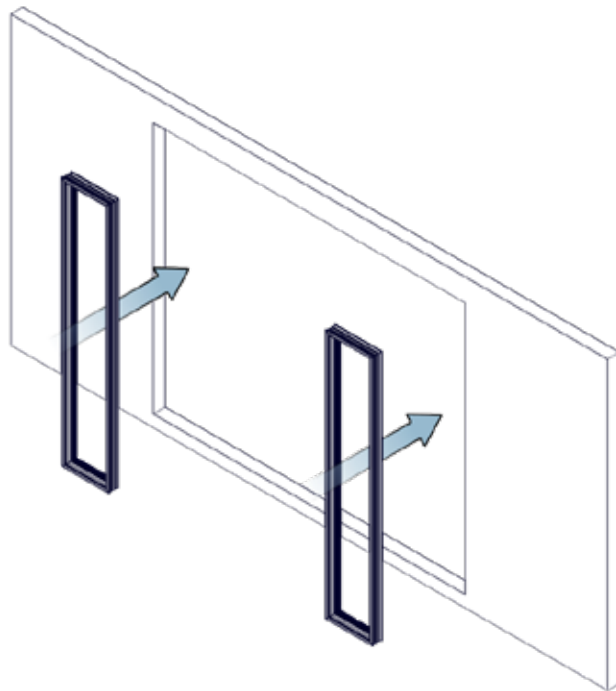
origin

DOORS AND WINDOWS

Window to jamb coupler

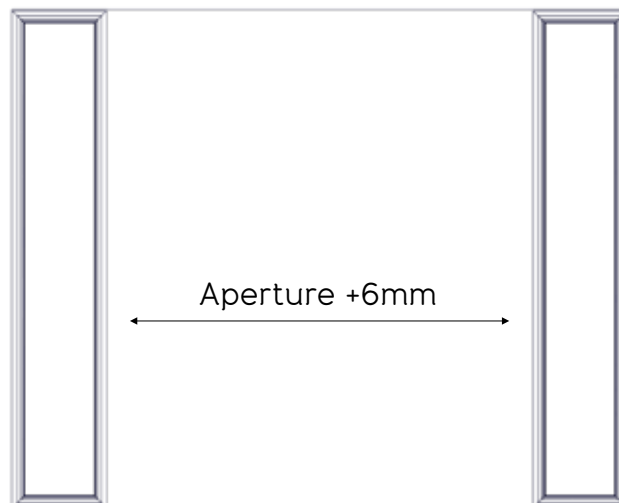
Window to jamb coupler

Install the windows as described in the Origin Installation Guide

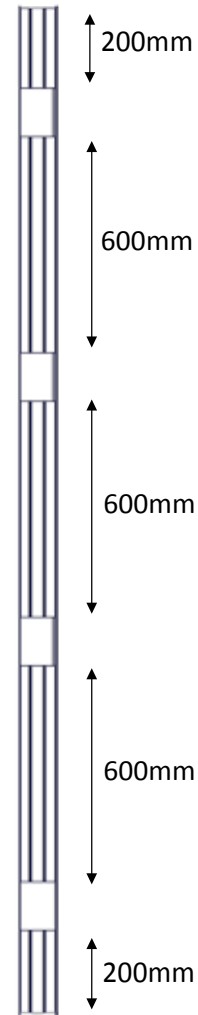
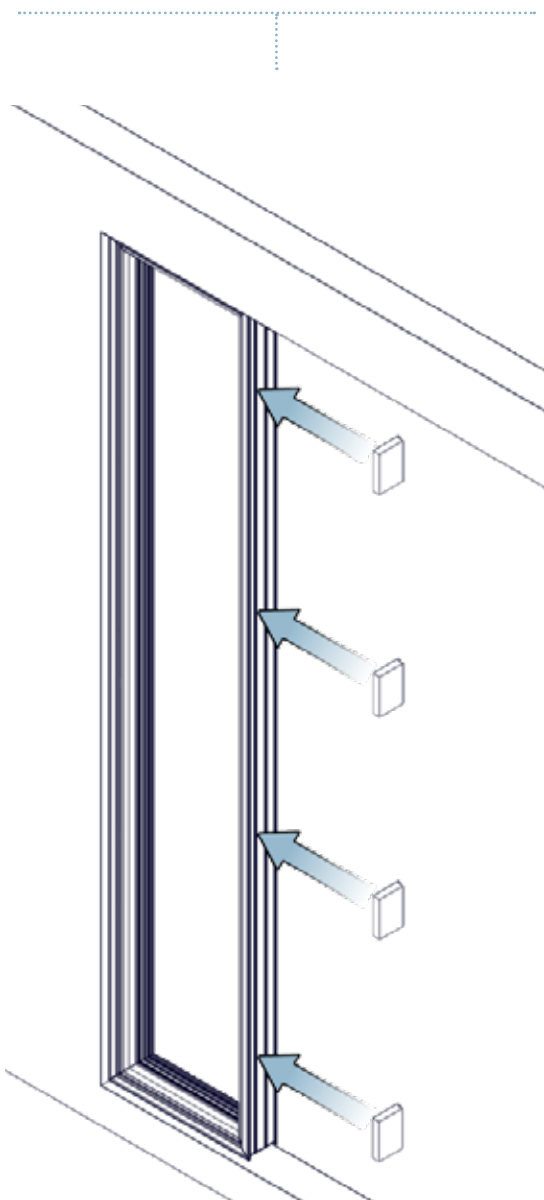


Ensure the remaining aperture is 6mm wider than the overall door set width

Do not install the glass



Install the alignment block into the window frame



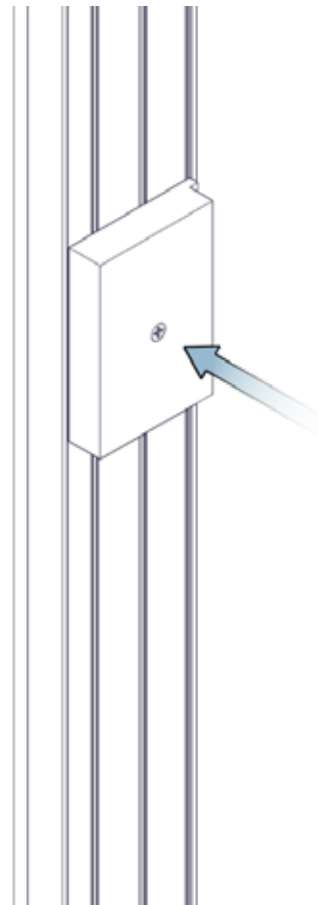
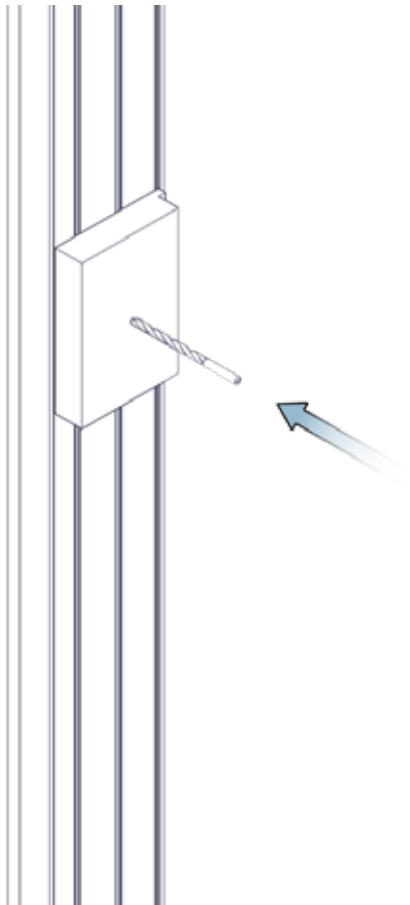
Leave 200mm from each end and evenly space the rest appropriately

Window to jamb coupler

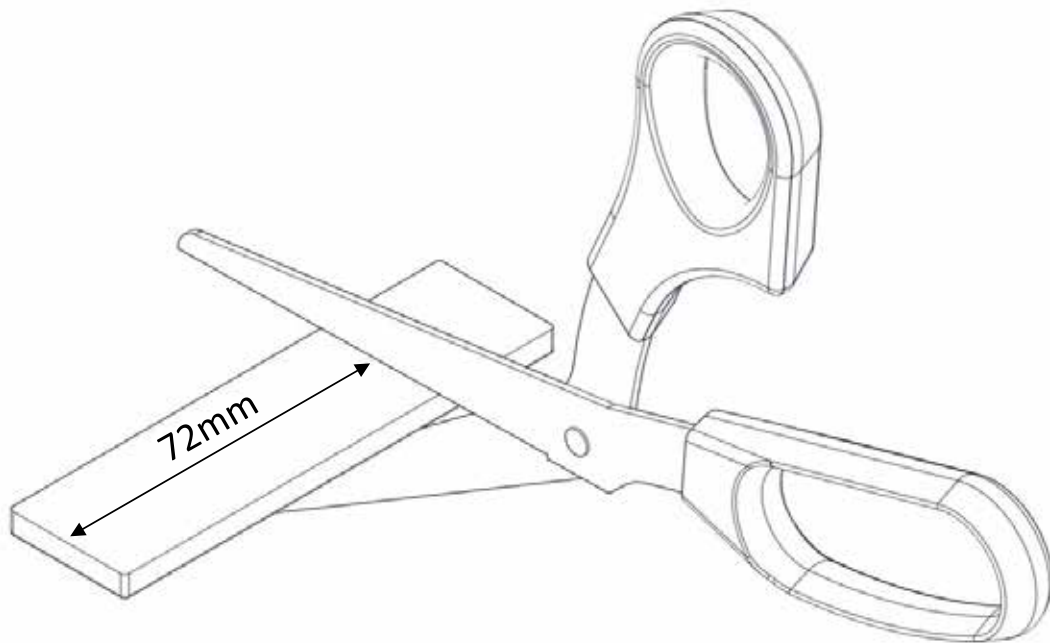
Drill, countersink and fix alignment blocks



Ensure screw is flush with surface of the block

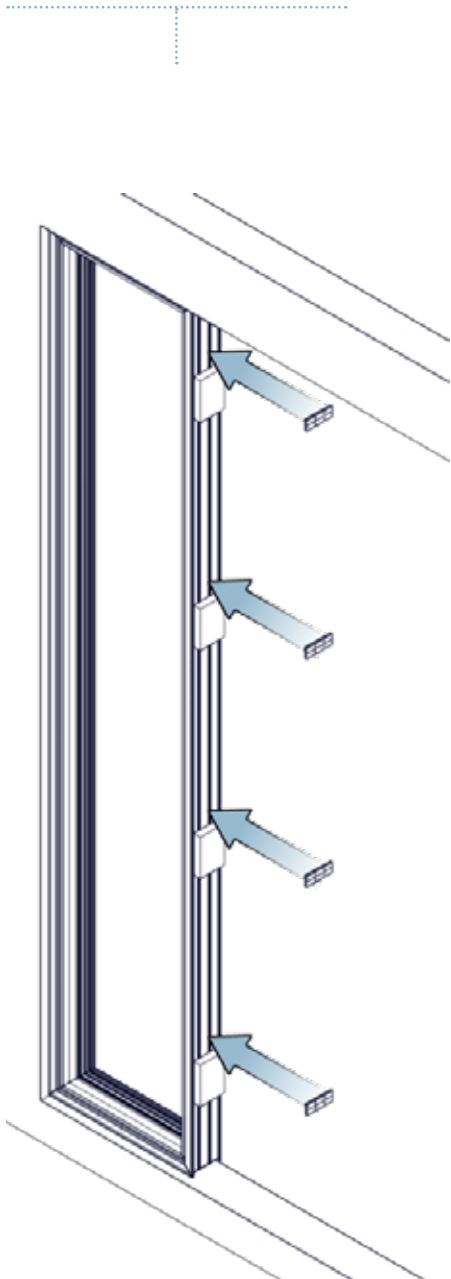


Cut down 5mm frame packers to 72mm (one for each jamb packer)



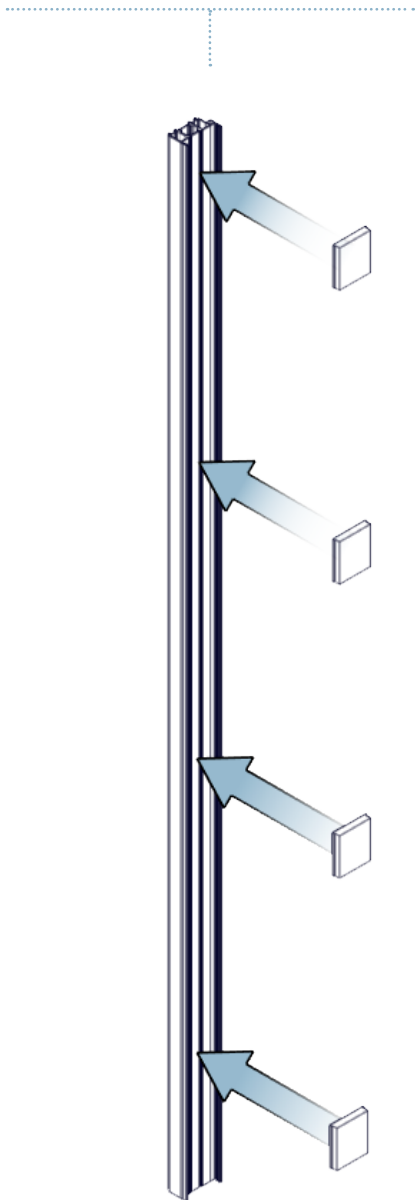
Window to jamb coupler

Install the Glazing Packers

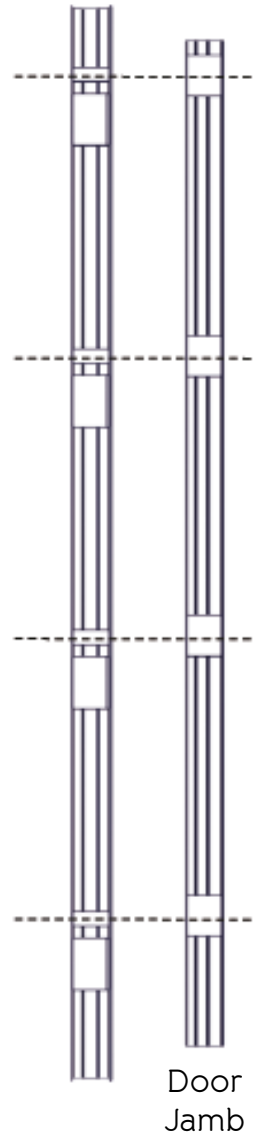


Ensure packers are positioned next to the alignment blocks

Re-position the jamb packers in the jamb



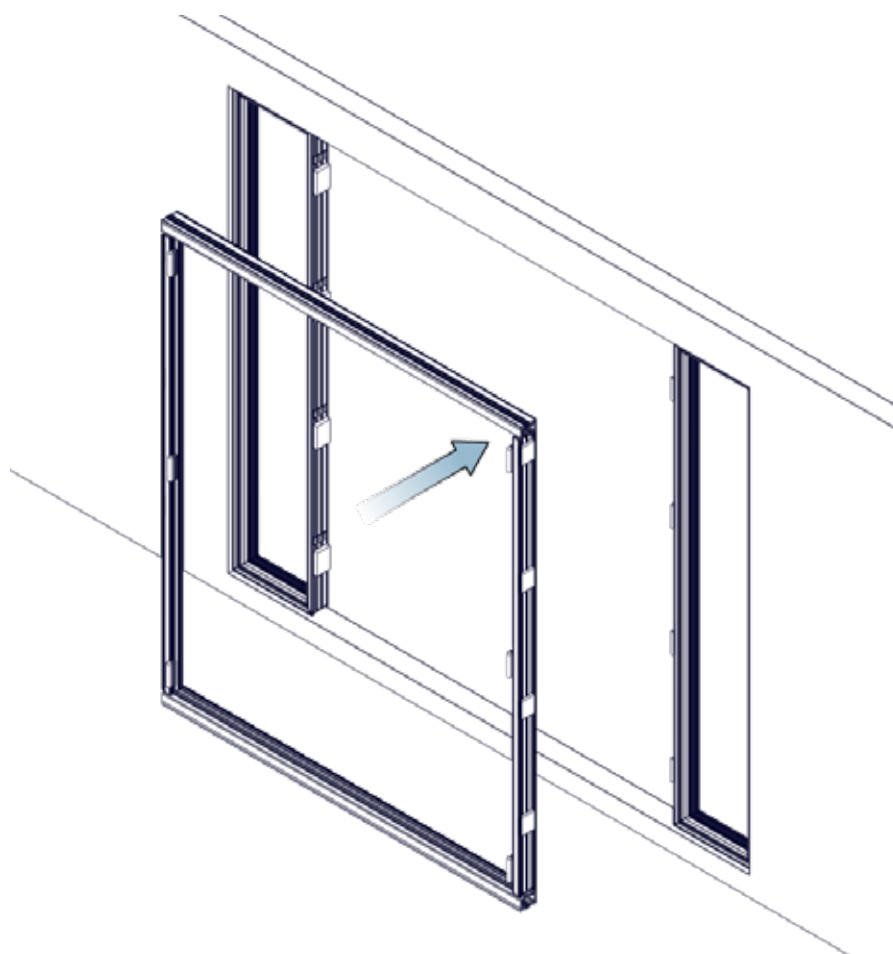
Window Jamb



Ensure packers are spaced the same as the frame packers installed on the window frame and fix appropriately

Window to jamb coupler

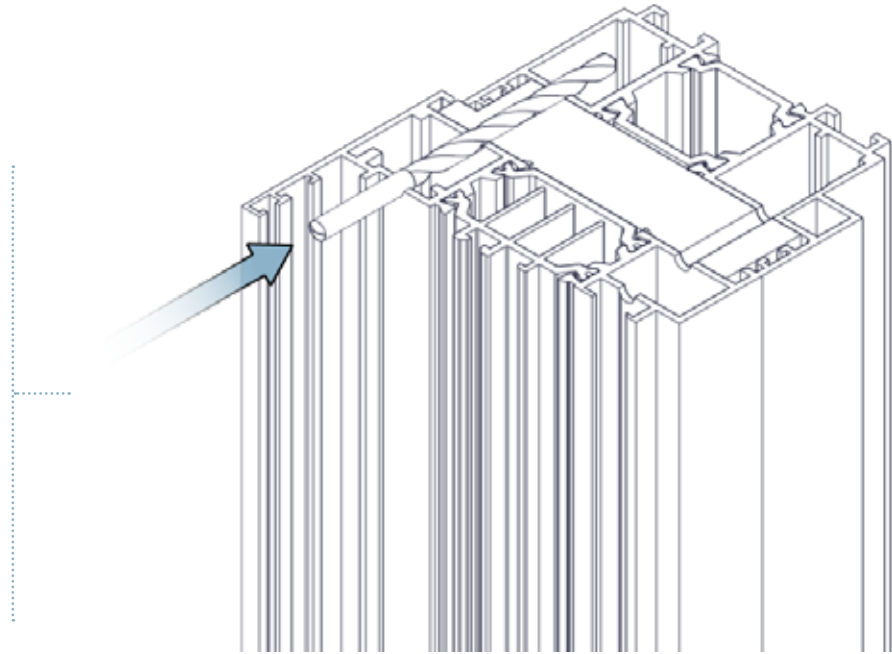
Position the door frame
into the aperture and
pack/clamp accordingly



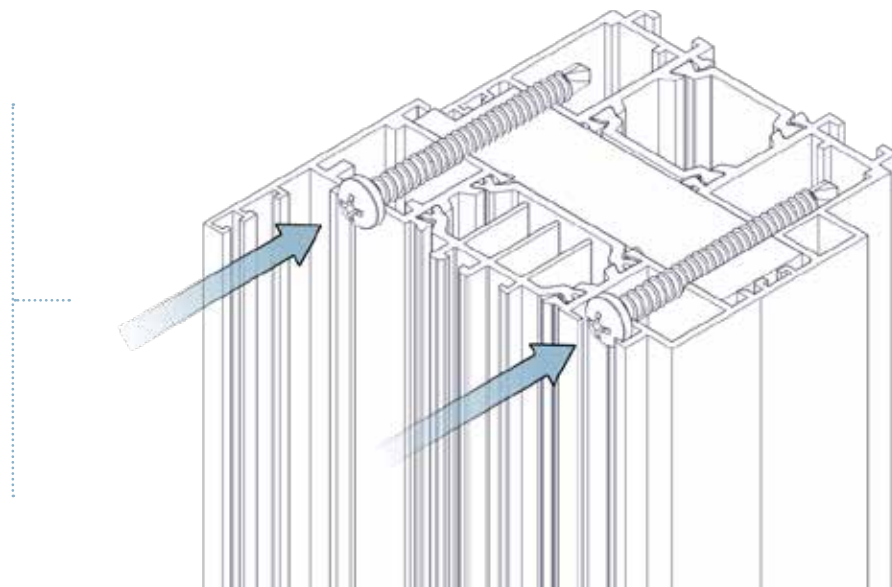


*Do not drill into
gasket chamber*

Pre-drill the frame
with a 3mm drill bit, as
shown, for every jamb
packer used

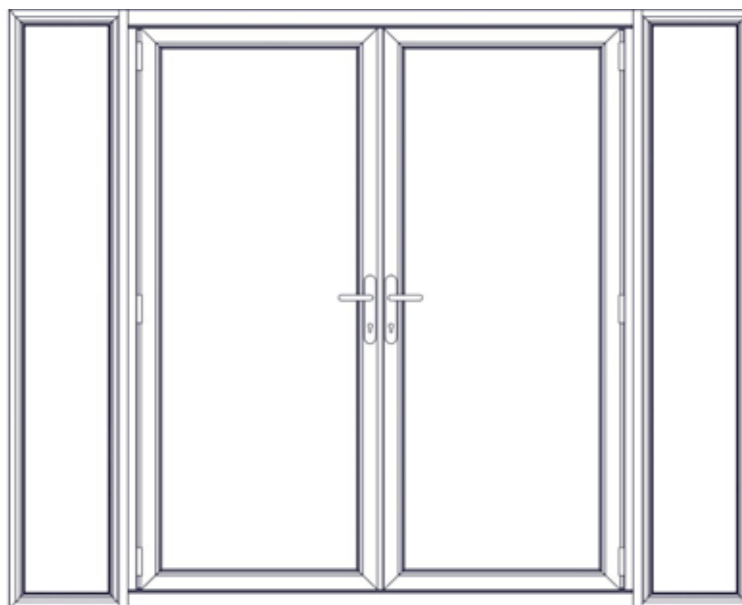


Using supplied screws, fix
the window frame to the
door jamb, through the
jamb packers

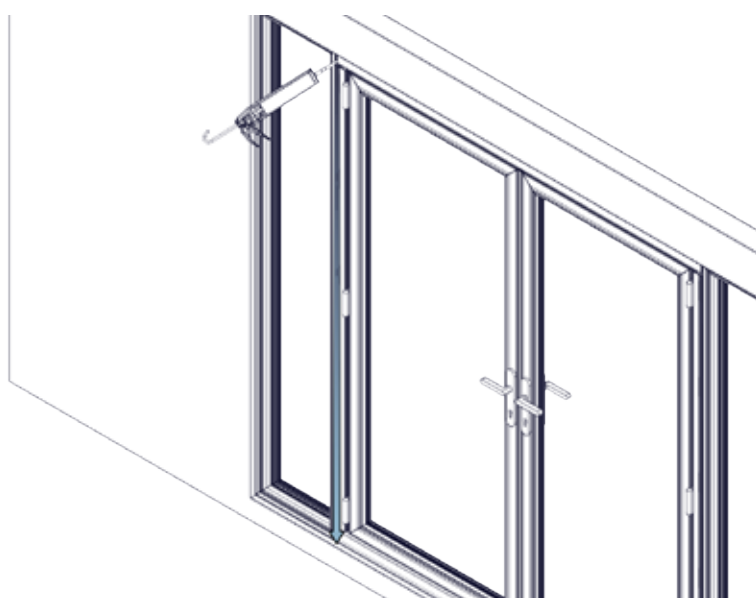


Window to jamb coupler

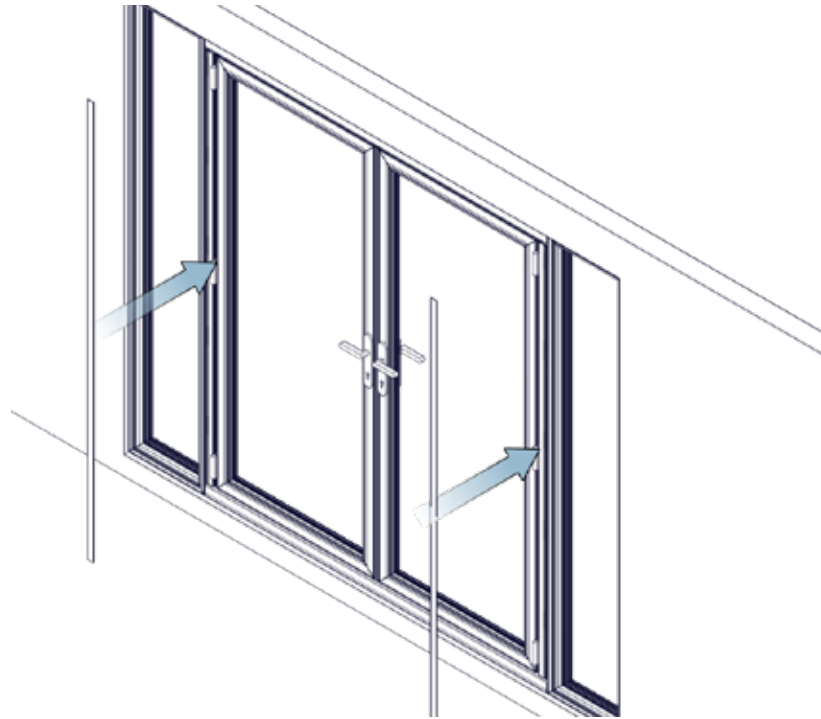
Install door sash, windows and glass as described in the Origin Installation Guide



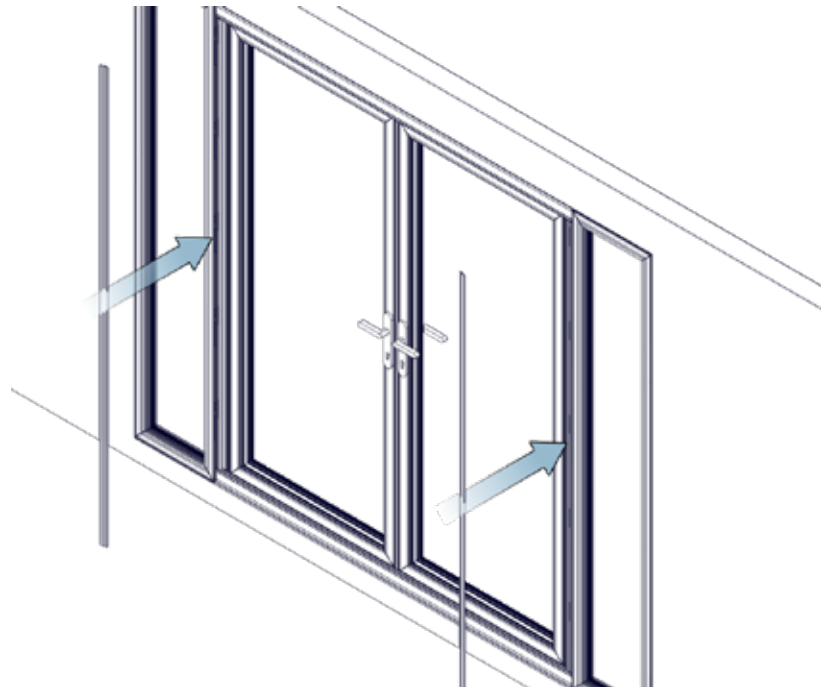
Seal the joint, between the window and door frame, making sure the joint is completely weather proof



Cut and fit supplied
trim inside (flat) ...



...and out (stepped)





Origin Global,
Stuart House, Origin Global HQ,
Castle Estate, Coronation Road,
Cressex Business Park, High Wycombe
Buckinghamshire, HP12 3TA

t 0808 168 5816
e enquiry@origin-global.com
w www.origin-global.com

Origin Northern Centre of Excellence,
Taurus Park, Europa Boulevard, Westbrook,
Warrington, Cheshire, WA5 7ZT

t 01925 907 907
e enquiry@origin-global.com
w www.origin-global.com