

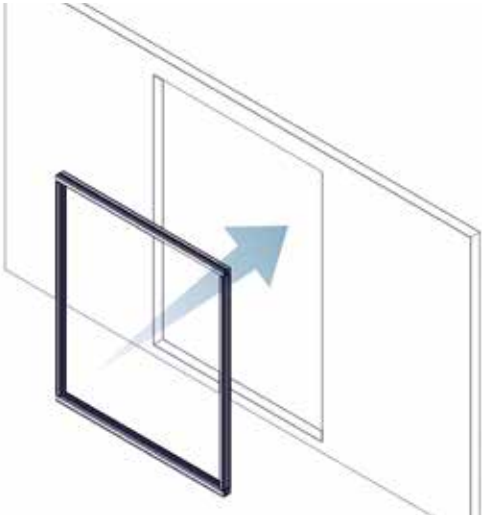


origin  
DOORS AND WINDOWS

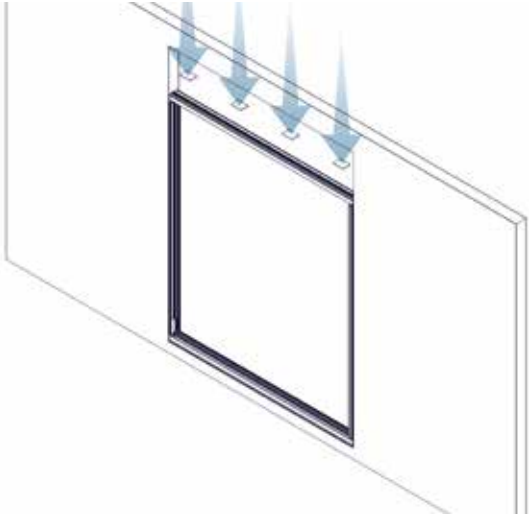
# Window to track coupler

# Window to track coupler

Install door jambs and tracks as described in the Origin Installation Guide

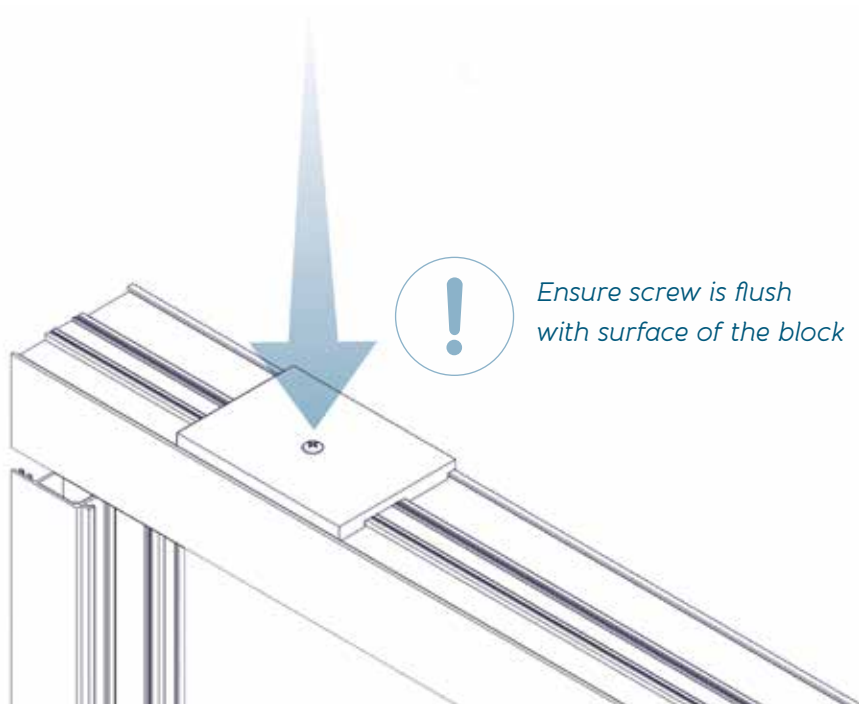
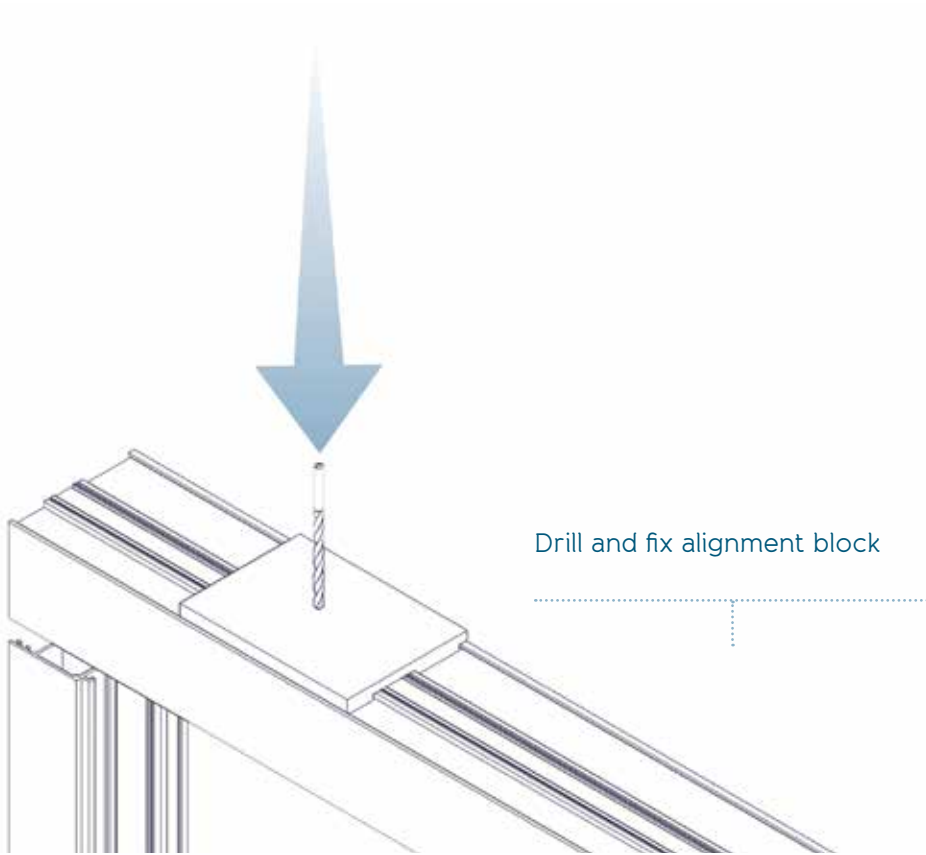


Place fixing blocks along the top track



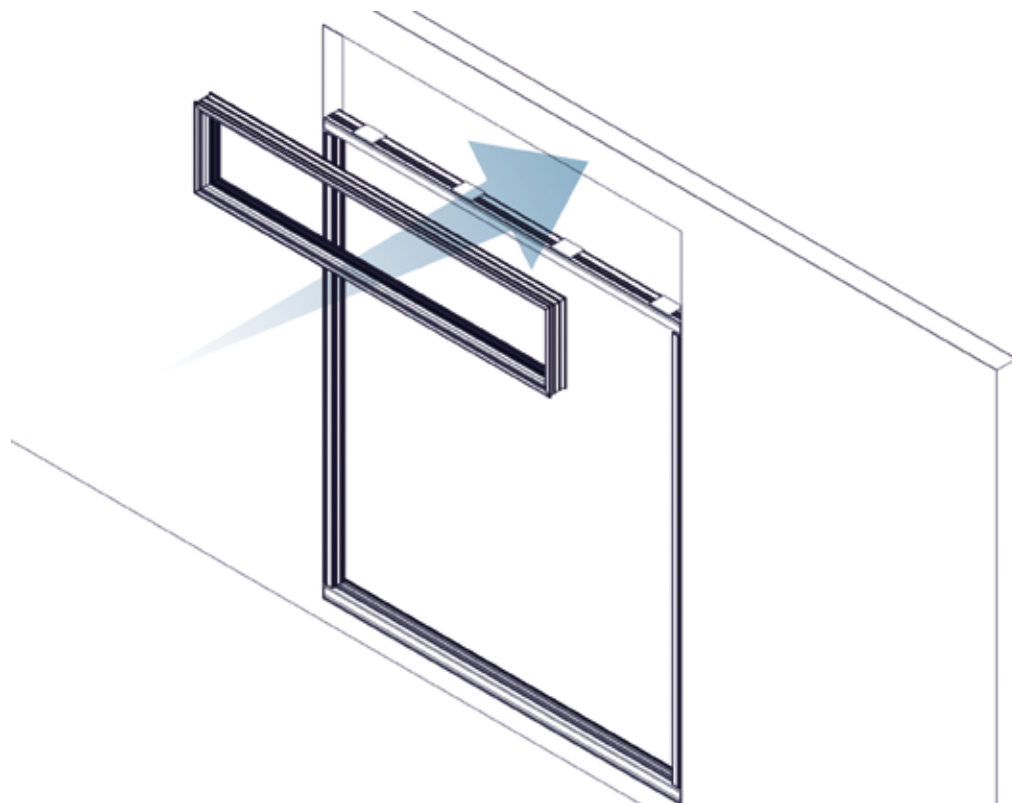
Ensure blocks are spaced evenly as shown



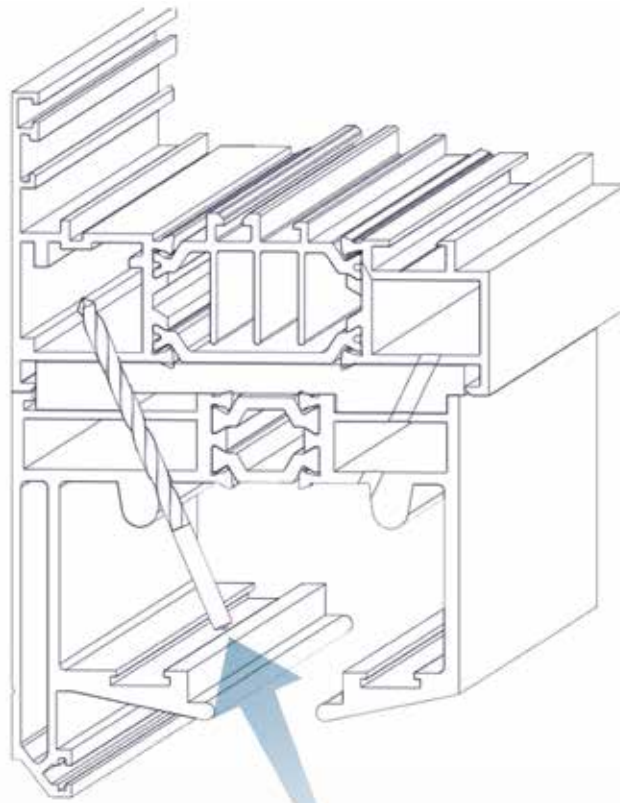


## Window to track coupler

Install window above the door using clamps/  
windbags to secure into position

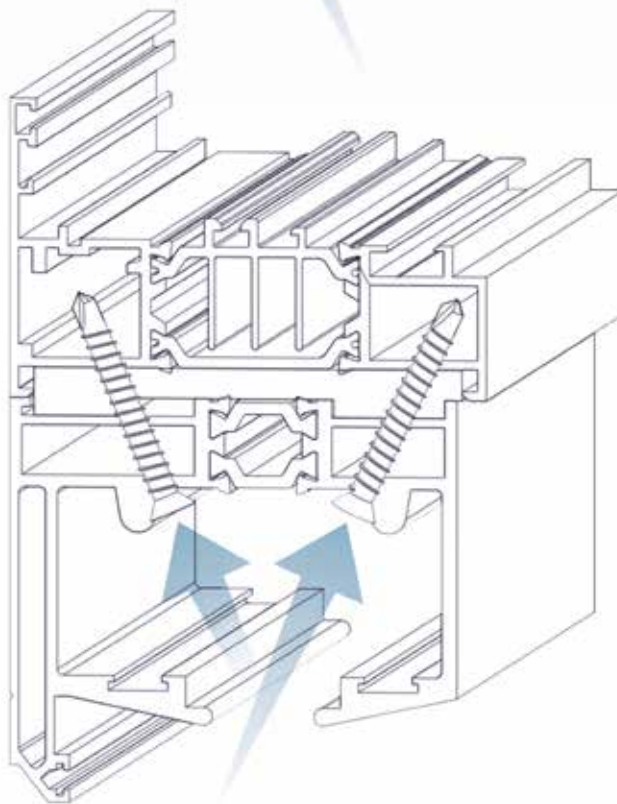


Pre-drill the frame with a 3mm long series drill bit as shown for every alignment block used



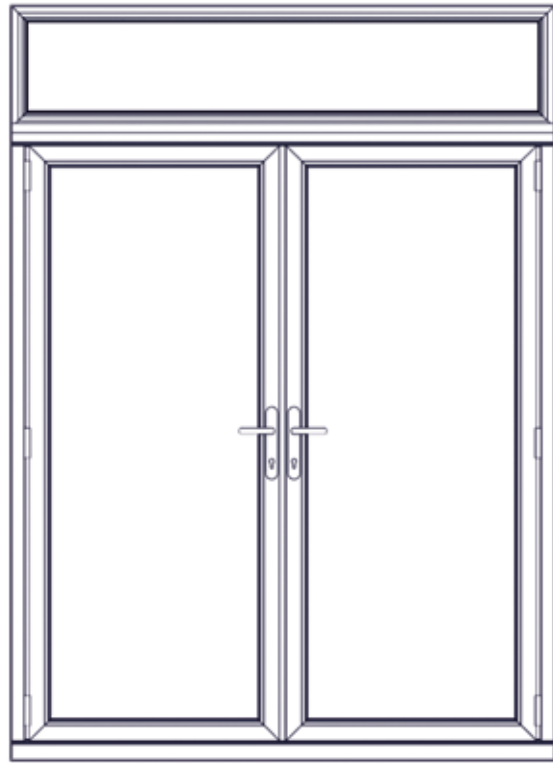
*Do not drill into the window cavity*

Using screws supplied, fix the track to the window frame



## Window to track coupler

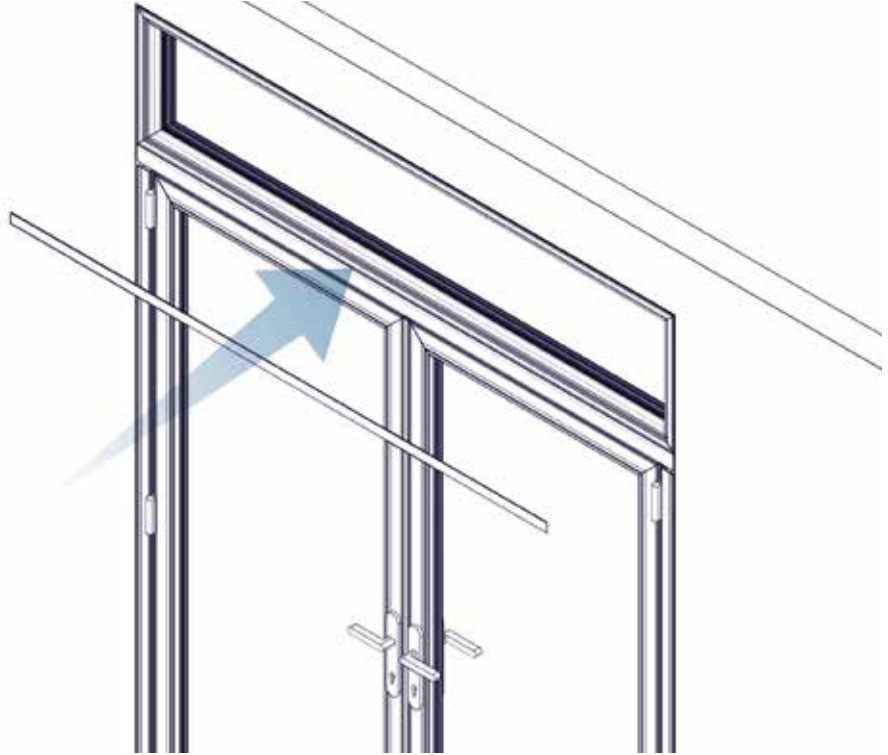
Install door sash,  
window and glass as  
described in the Origin  
Installation Guide



Silicone the joint between  
the track and window  
frame to ensure the joint is  
completely weather proof



*Internal*



*External*



Cut and fit supplied trim  
inside (flat)  
and out (step)



Origin Global,  
Stuart House, Origin Global HQ,  
Castle Estate, Coronation Road,  
Cressex Business Park, High Wycombe  
Buckinghamshire, HP12 3TA

t 0808 168 5816  
e [enquiry@origin-global.com](mailto:enquiry@origin-global.com)  
w [www.origin-global.com](http://www.origin-global.com)

Origin Northern Centre of Excellence,  
Taurus Park, Europa Boulevard, Westbrook,  
Warrington, Cheshire, WA5 7ZT

t 01925 907 907  
e [enquiry@origin-global.com](mailto:enquiry@origin-global.com)  
w [www.origin-global.com](http://www.origin-global.com)